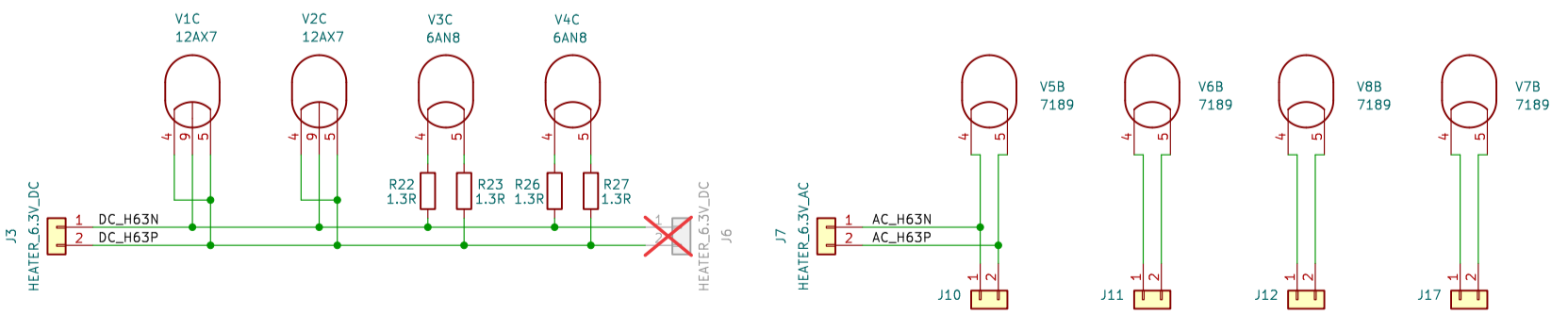
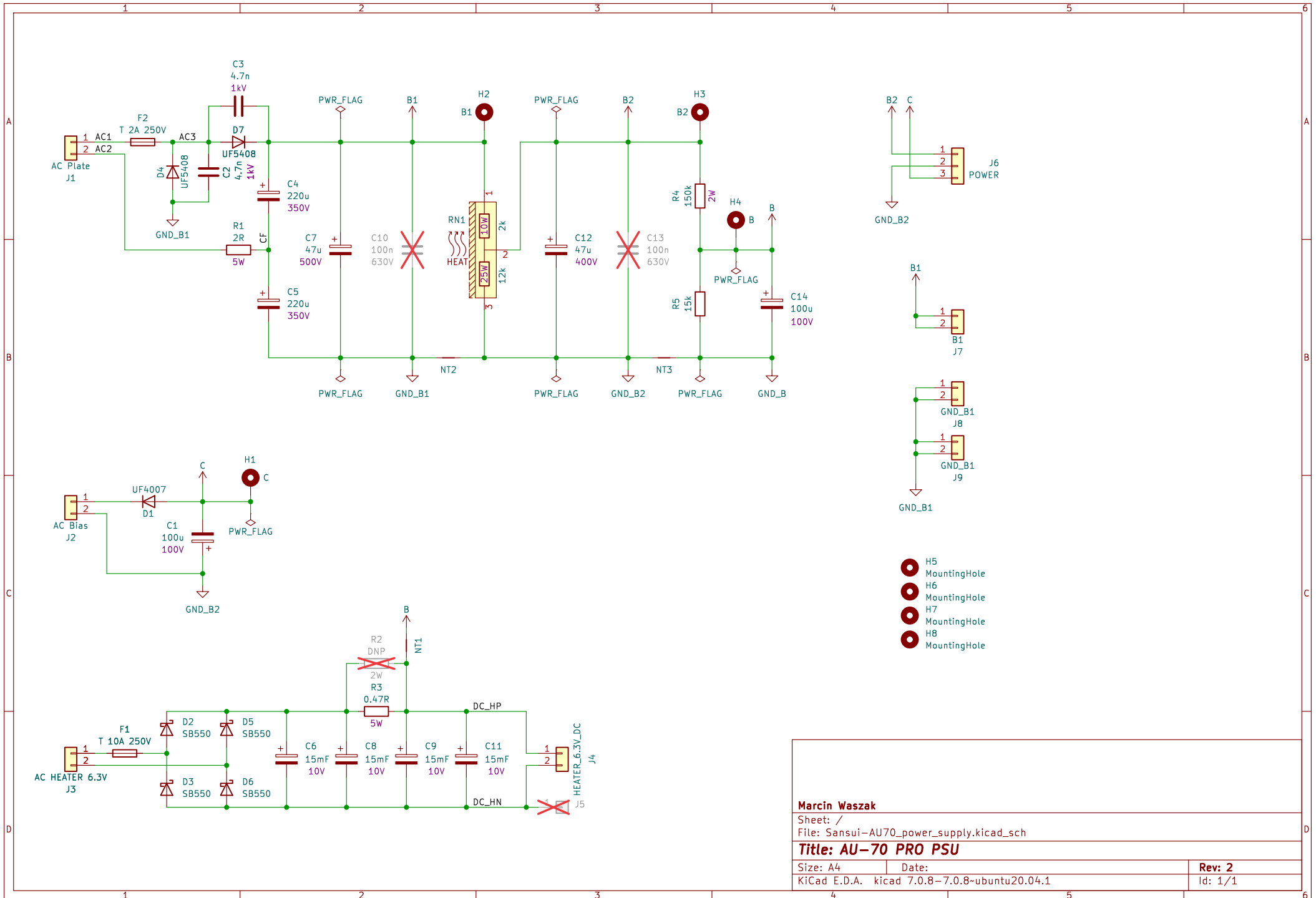


- H1 MountingHole
- H2 MountingHole
- H3 MountingHole
- H4 MountingHole
- H5 MountingHole
- H6 MountingHole
- H7 MountingHole
- H8 MountingHole
- H9 MountingHole
- H10 MountingHole
- H11 MountingHole
- H12 MountingHole
- H13 MountingHole
- H14 MountingHole
- H15 MountingHole
- H16 MountingHole





Marcin Waszak

Sheet: /

File: Sansui-AU70\_power\_supply.kicad\_sch

**Title: AU-70 PRO PSU**



Size: A4

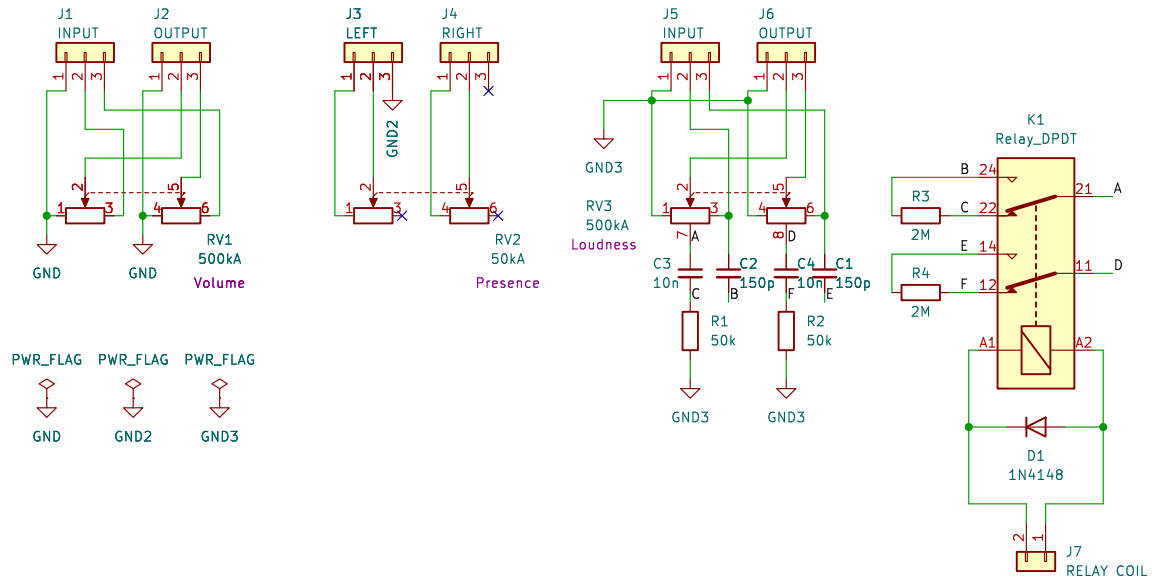
Date:

KiCad E.D.A. kicad 7.0.8-7.0.8-ubuntu20.04.1

Rev: 2

Id: 1/1

-  H1 MountingHole
-  H2 MountingHole
-  H3 MountingHole
-  H4 MountingHole



|  |                          |
|--|--------------------------|
| Sheet: /                                     |                          |
| File: Sansui-AU70_potentiometer.kicad_sch    |                          |
| <b>Title:</b>                                |                          |
| Size: A4                                     | Date:                    |
| KiCad E.D.A. kicad 7.0.8-7.0.8-ubuntu20.04.1 | <b>Rev: 1</b><br>Id: 1/1 |